

DSC SAMPLE PANS, COVERS AND CRIMPERS

Standard Sample Pan Crimper Press

Used to crimp covers on standard DSC pans of aluminum, gold and copper. Design incorporates a replaceable crimper head.



Description	Part No.
Standard Sample Pan Crimper Press	02190048

Universal Crimper Press

The Universal Crimper Press provides high quality pan sealing for the autosampler sample pans/hermetically sealed pans and can also crimp standard aluminum pans, large volume stainless steel (24 bar) and volatile pans. This is achieved simply by using the appropriate sealing insert. Includes sample pan suction tool and inserts to seal 10, 30 and 50 μ L sample pans.



Description	Part No.
Universal Crimper Press	B0139005

ALUMINUM SAMPLE PANS AND COVERS

Sample Pan	Operating Range	Vol. (μ L)	Max Pressure	Qty.	Crimper (Sealer)	Part No.
Open/Crimped Pans						
Standard Aluminum Pans and Covers	-170° to 600 °C	40	Ambient	400	02190048 or B0139005 with B0508921	02190041
Aluminum Sample Pans	-170° to 600 °C	28	Ambient	200	N5356027 or N5356028	N5356010
Aluminum Sample Pans	-170° to 600 °C	45	Ambient	400	N5356027 or N5356028	N5356012
Aluminum Pans for HyperDSC®	-170° to 600 °C	40	Ambient	100	Not Required	N5203115
Vented/Pierced Pans						
Aluminum Covers (Pierced)*	-170° to 600 °C		0.05 mm hole	400	B0139005	B7001014
Volatile Aluminum Pans and Covers (Pierced)**	-170° to 600 °C	20	0.05 mm hole	100	02190061 or B0139005 with B0144637	N5190788
Aluminum (Vented) Pans	-170° to 600 °C	30	Vented	400	B0139005	B0143018
Aluminum (Vented) Pans	-170° to 600 °C	50	Vented	400	B0139005	B0143019
Hermetically Sealed/Volatile Pans						
Aluminum Pans	-170° to 600 °C	10	1 bar	400	B0139005	B0143015
Aluminum Pans	-170° to 600 °C	30	1 bar	400	B0139005	B0143016
Aluminum Pans	-170° to 600 °C	50	1 bar	400	B0139005	B0143017
Aluminum Pans and Covers	-170° to 600 °C	20	2 bar	400	02190061 or B0139005 with B0144637	02190062
Aluminum Pans and Covers	-170° to 600 °C	10	3 bar	400	B0139005	B0169319
Aluminum Pans and Covers	-170° to 600 °C	30	3 bar	400	B0139005	B0169320
Aluminum Pans and Covers	-170° to 600 °C	50	3 bar	400	B0139005	B0169321
Non-coated Aluminum Sample Pans and Covers	-170° to 500 °C	7.5	3 bar	200	N5356027 or N5356028	N5356008
Aluminum Pans and Cover Starter Kit			3 bar	200/200	B0139005	B0510800
Photo DSC Pans						
Aluminum Pans for Photocalorimetric Analysis	-170° to 600 °C	12.5	Ambient	100	Not Required	B0196858
Aluminum Pans and Quartz Covers	-170° to 600 °C	12.5	Ambient	100	Not Required	B0198030
Quartz Covers				10		B0181091

For use with DSC 4000, DSC 6000, DSC 8000, DSC 8500, Diamond DSC, Pyris 1 DSC, DSC 7, DSC 6, Pyris 6 DSC and Jade DSC For use with Sapphire DSC

* For use with B0143015, B0143016, B0143017

** 50 Micron hole; use for boiling point, heat of vaporization, sublimation studies.

High Pressure Capsule Sealing Tool

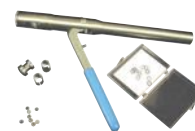
This reliable sealing tool is fast and precise. It employs a built-in torque clutch which guarantees that all capsules are closed with the same torque.



Description	Part No.
High-Pressure Capsule Sealing Tool	B0182864

Quick Press

The Quick Press is a convenient device for sealing stainless steel pans, covers and o-rings (03190218 and 03190029). Requires but does not include spacer die (03191047).



Description	Part No.
Quick Press	09908467
Quick Press Spacer Die	03191047

High Pressure Sample Pans (24 to 150 bar)

Pans contain the sample in a sealed environment throughout an experiment. The sealing suppresses the vaporization of a solvent or contains a volatile reaction product, thereby eliminating the interfering effects of the heat of vaporization.



Stainless Steel Pans with O-rings

Sample Pan	Operating Range	Vol. (µL)	Max Pressure	Qty.	Crimper (Sealer)	Part No.
▶ Stainless Steel Pans, Covers and O-rings	-40° to 300 °C	60	24 bar	20	B0139005 with B0505340 -or- 09908467 with 03191047	03190218
▶ Stainless Steel Pans, Covers and O-rings	-40° to 300 °C	60	24 bar	1,000	B0139005 with B0505340 -or- 09908467 with 03191047	03190029
▶ High Pressure Stainless Steel Pans, Covers and Seals ¹	-170° to 400 °C	30	150 bar	5	B0182864	B0182901
▶ High Pressure Gold-plated Pans and Covers ¹	-170° to 400 °C	30	150 bar	5	B0182864	B0182902
▶ High Pressure Titanium Pans, Covers and Seals ²	-170° to 400 °C	30	150 bar	5	B0182864	B0182903
▶ Aluminum Sample Pans and Covers, High Volume ²	-170° to 500 °C	70	30 bar	40	N5356027 or N5356028	N5356002
▶ Aluminum Sample Pans and Covers, Small Volume ³	-170° to 500 °C	15	30 bar	40	N5356027 or N5356028	N5356003

¹ Reusable, includes 5 Pans and 20 Gold-plated Seals, uses Replacement Seals (B0182905)

² Reusable, includes 5 Pans and 20 Titanium Seals, uses Replacement Seals (B0185054)

³ Electric Sealer (N5356028) requires Hermetic Die (N5356032) and Stage (N5356035), included with Manual Sealer

Specialty Sample Pans and Covers

Sample Pan	Operating Range	Vol. (µL)	Max Pressure	Qty.	Crimper (Sealer)	Part No.
▶ Alumina Pans and Covers	-170° to 730 °C	40	Ambient	6	Not Required	N5190180
▶ Standard Copper Pans and Covers ⁶	-170° to 730 °C	40	Ambient	200	02190048	03190026
▶ Heat Treated Aluminum Pans and Covers	-170° to 600 °C	40	Ambient	100	Not Required	N5340188
▶ Graphite Sample Pans and Covers	-170° to 600 °C	40	Ambient	4	Not Required	03190025
▶ Gold Sample Pans and Covers	-170° to 730 °C	40	Ambient	10	Not Required	02190042
▶ Copper Sample Pans ^{4, 5, 6}	-170° to 800 °C	45	Ambient	200	Not Required	N5356021
▶ Aluminum Sample Pans, High Volume ^{2, 3}	-170° to 600 °C	90	Ambient	200	N5356027 or N5356028	N5356034
▶ Ceramic Sample Pans ⁷	RT to 1,500 °C	25	Ambient	5	Not Required	N5356019
▶ Ceramic Sample Pans ⁷	RT to 1,500 °C	55	Ambient	2	Not Required	N5356020
▶ Platinum Sample Pans ⁸	-170° to 1,500 °C	45	Ambient	5	Not Required	N5356016
▶ Platinum Sample Pans, High Volume ⁸	-170° to 1,500 °C	95	Ambient	5	Not Required	N5356017

¹ Not for use with Autosampler ² Cover Crimp style (N5356014). Not for DSC Autosampler, requires Crimping Die and Stage (N5366030)

³ Cover Plate style (N5356015)

⁴ Copper Mesh Cover (N5356022)

⁵ Stainless Steel Mesh Cover (N5356023)

⁶ Recommended for O.I.T. tests

⁷ No Covers

⁸ Plate Covers (N5356018)

▶ For use with DSC 4000, DSC 6000, DSC 8000, DSC 8500, Diamond DSC, Pyris 1 DSC, DSC 7, DSC 6, Pyris 6 DSC and Jade DSC

▶ For use with Sapphire DSC

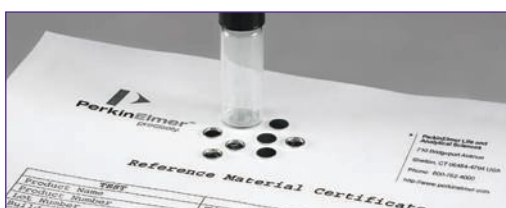
Calibration Reference Materials

PerkinElmer reference materials are 99.999% pure. DSC requires elements of this purity so that the instrument can be accurately calibrated.

Reference Material	Transition Point	Part No.
Indium	156.60 °C	03190033
Tin	231.88 °C	03190034
Lead	327.47 °C	03190035
Zinc	419.47 °C	03190036
Encapsulated Kit*		02190045
Encapsulated Kit**		N5190762

* Includes a large and small indium, tin and lead

** Includes indium and zinc for DSC 4000, DSC 6000, DSC 8000, DSC 8500, DSC 7, Pyris 1 DSC, DSC 6, Pyris 6 DSC, Jade DSC and Diamond DSC



Specific Heat Kit

Includes four sapphire disks manufactured to two separate diameters and thicknesses. Also includes a calibration chart giving the specific heat of aluminum oxide in the form of synthetic sapphire.

Description	Part No.
Specific Heat Kit	02190136

Sample Holder Supplies

Sample Holder Cover Reforming Tool

DSC performance is enhanced with sample holder covers that are formed properly and not degraded by extended usage. This tool allows the analyst to reform the platinum covers to their original dimensions.

Description	Part No.
Sample Holder Cover Reforming Tool	03190030

Platinum Sample Holder Covers

Each cover has two vent holes and is used for the Diamond DSC, Pyris 1 DSC, DSC 7, DSC 8000 and DSC 8500 sample holders.

Description	Qty.	Part No.
Vented	2	04190299
Vented	6	03190031
Unvented	6	03190032
DSC Autosampler, (2 required)	1	B0139122
Large furnace covers	2	B0182981

Sample Holder Cover Reforming Tool



Vented Platinum Sample Holder Cover



Hook Forceps



Diamond DSC Loading Tool

Allows for easy insertion and removal of sample or reference pans or platinum lids.

Description	Part No.
Diamond DSC Loading Tool	N5361180

Forceps

Description	Part No.
Flat Round Tips	09908400
Flat Pointed Tips	N5361078
Hook	09908138

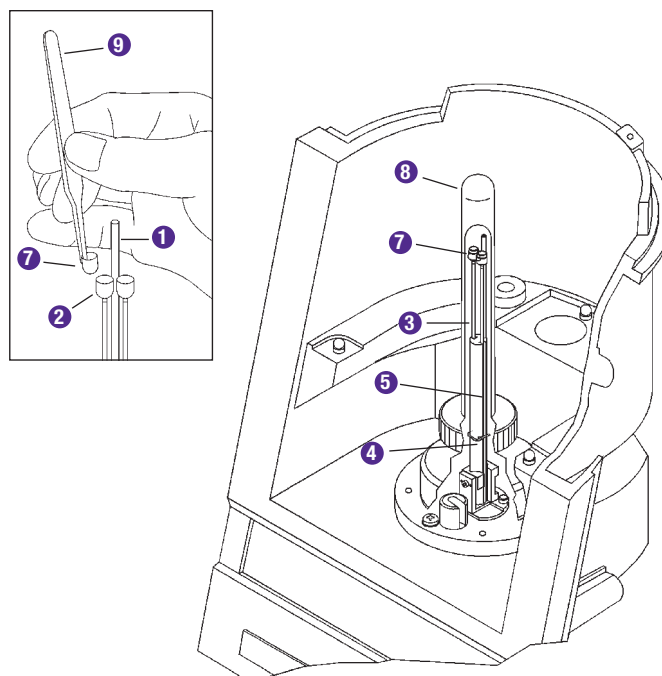


Sample Pan Manipulators

Features and Benefits

- Specially designed to simplify the pickup and positioning of your sample pans and covers.
- Prevents contamination of your sample.

Description	Part No.
Special Sample Pan Manipulator	B0142512
Standard Sample Pan Manipulator	B0143263
Replacement Rubber Tip	N5376097



DTA 7 and DTA 1700 Supplies and Accessories

Components	Part No.
1 DTA Alumina Purge Gas Tube, Located between the sample and reference cups; permits purging of the sample area (pkg. 2)	04190119
2 Sample and Reference Cup Holders, 95% platinum/5% rhodium cups 0.47 cm diameter (pkg. 4)	04190163
Aluminum Oxide Powder*, Vial of 28 g	04190197
4 Thermocouple Retaining Clips, (pkg. 6)	04190117
5 Thermocouple Support Post	04191228

* Operating Tip: Place some aluminum oxide powder between the sample and the cup to prevent the sample from adhering to the cup.

7 DTA 7 and DTA 1700 Sample and Reference Cups

Alumina, platinum, and magnesia cups are available. Use alumina cups if the sample is to be brought to temperatures higher than 1500°C and when metal samples are being run. Use magnesia cups for super conductor investigations. Use the platinum cups when alumina and magnesia cups are not suitable.

Cup Material	Size	Quantity	Part No.
Alumina	60 mm ³	1	04191290
	60 mm ³	6	04190166
	60 mm ³	25	04190387
	100 mm ³	1	04191291
	100 mm ³	6	04190217
	100 mm ³	25	04190388
Alumina Sample, Cup Lids		Pair	N5380063
Platinum	100 mm ³	10	04190165
Magnesia	60 mm ³	1	04191838
	100 mm ³	1	04191839

Components	Part No.
9 Non-magnetic Straight Forceps	09908400

DTA 7 only Supplies and Accessories

Components	Part No.
3 Matched Sample and Reference Thermocouples,** matched pair, S-Type	N5380052
O-Rings, Furnace Tube	09921019
Base	09921018
Purge Tube	09902245
8 Alumina Furnace Tube, cylindrical with closed end, placed over the cups to ensure even heating of both the sample and reference materials and to provide a controlled gas environment.	N5380037
Oven Thermocouple Assembly, S-Type	N5380051
Sapphire Cup for Oven Thermocouple	N5191875
Replacement Furnace Heater Assembly	N5380053
DTA 7 Spares Kit	N5380015
Hex Wrench	09907236
Open Alumina Furnace Tube Kit, For collecting evolved gases generated during a DTA experiment	N5380062
Balance Cup Stand, Use this stand to support the sample cup vertically while weighing your sample	N5381081

** Operating Tip: When replacing the thermocouple, replace both thermocouples because they are a matched pair.

ACCESSORIES

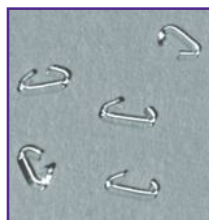
Furnace Accessories and Glassware

Description	Standard TGA Part No.	TGA High-Temp. Part No.
Furnace	N5190264	N5190172
Furnace Thermocouple		N5190196
Cup for Furnace, Thermocouple		N5191875
1 Sample Thermocouple	03190253	N5190197
2 Furnace Tube Quartz TGA 7	N5190203	
2 Furnace Tube Quartz PYRIS 1 TGA	N5370459	N5190202
Platinum Furnace Shield	03191628	
4 Balance Tare Weight	N5190282	N5190284
5 Cover O-ring	09902163	09902163

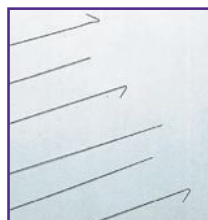
Furnace Accessories for STA 6000

Description	Part No.
STA 6000 SaturnA Sensor	N5202083

Hangdown Wire Kits



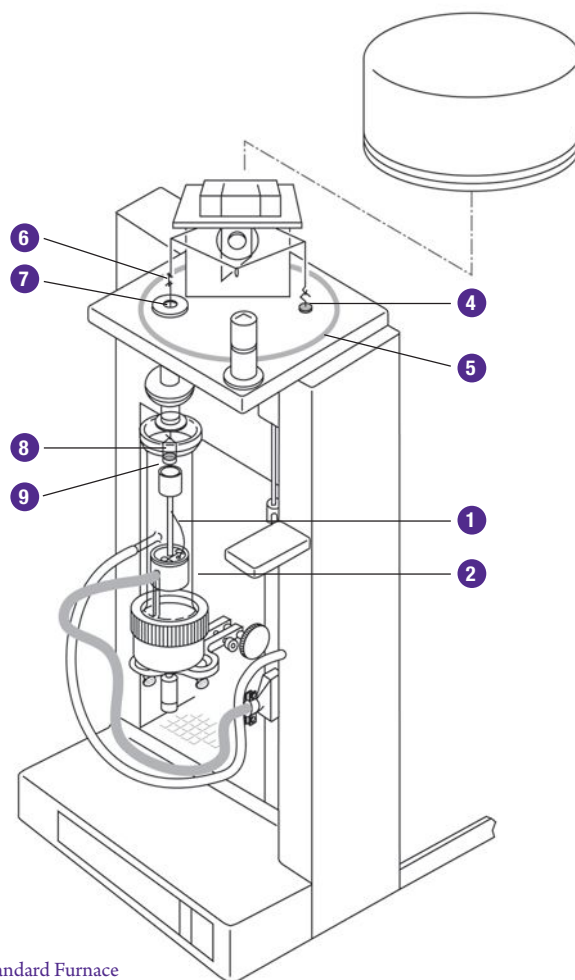
Hangdown Wire Link Kit, Quartz



Hangdown Wire Kit, Nichrome



Stirrup Kit, Platinum



TGA Standard Furnace

Description	Material	Qty.	TGA 7 Standard Part No.	TGA 7 High-Temp. Part No.	PYRIS 1 TGA Standard Part No.	PYRIS 1 TGA High-Temp. Part No.
6 Hangdown Wire Link Kit	Quartz	10	N5190330			
Hanger Kit	Quartz	5			N5370487	
Autosampler Hanger Kit	Quartz	5			N5370488	
7 Hangdown Wire Kit Includes 6 preformed and 6 straight wires	Nichrome	6	N5190285			
Hangdown Wire Kit Includes 6 preformed wires	Nichrome	6	N5190516			
Hangdown Wire Kit Includes 6 straight wires	Nichrome	6	N5190515			
Autosampler Hanger Kit	Nichrome	5			N5370490	
7 Hanger Kit	Platinum	6				N5370330
7 Hangdown Wire Kit Includes 6 preformed wires	Platinum	6		N5190276		
8 Stirrup Kit	Platinum	4	03190265	N5190279	03190265	N5190279

Pans for TGA 7 and PYRIS 1 TGA

Description	Qty	Part No.
9 For TGA 7 Standard/PYRIS 1 TGA	4	03190264
9 For TGA 7/PYRIS 1 TGA High-temperature	4	N5190280
Ceramic Liner Kit for TGA 7/PYRIS 1 TGA	6	N5190283
PYRIS 1 TGA Accupik Sample Pans and Covers	400	N5370550

Pyris 1 TGA Autosampler Ceramic Crucible Kits and Liners

Description	Part No.
Ceramic Crucible Kit. Contains 10 ceramic crucibles.	N5370464
Aluminum Liners for Pyris 1 TGA Autosampler Ceramic Crucibles - Kit of 400	N5370492
Stainless Steel Liners for Pyris 1 TGA Autosampler Ceramic Crucibles - Kit of 400	N5370495

Pans for STA 6000 and TGA 4000

Description	Part No.
STA 6000/TGA 4000 Ceramic Sample Pan Kit - 45 Pans	N5200045
STA 6000/TGA 4000 Ceramic Sample Pan Kit - 3 Pans	N5200040
STA 6000/TGA 4000 Pt/Rh Pans (2.5 mm height) - 5 Pans	N5201021
STA 6000/TGA 4000 Pt/Rh Pans (5.0 mm height) - 5 Pans	N5201022
STA 6000/TGA 4000 Pt/Rh Pans (2.5 mm height) - 1 Pan	N5201023
STA 6000/TGA 4000 Pt/Rh Pans (5.0 mm height) - 1 Pan	N5201024

Pyris 1 TGA Accupik Replacement Needle Kit

Contains 3 needles.

Description	Part No.
Pyris 1 TGA Accupik Replacement Needle Kit	N5370554

Pyris 1 TGA Cooling Jacket

With this accessory and a Chiller (optional), the TGA can start from -20 °C.

Description	Part No.
Pyris 1 TGA Cooling Jacket	N5370553

Pyris TGA Volatile Capsule Sealer Kit

Description	Part No.
Pyris TGA Volatile Capsule Sealer Kit	N5370555

Forceps, Non-Magnetic

Description	Part No.
Hooked	09908138
Straight	09908400

CALIBRATION REFERENCE MATERIALS

Ensure accurate thermogravimetric measurements with PerkinElmer magnetic reference materials.

Description	Part No.
Kit of Five Reference Materials (Alumel, Nickel, Perkalloy, Iron and Hisat-50)*	02190071
Alumel Reference Material (154.2°C)	09988015
Nickel Reference Material (355.3°C)	N5190869
Perkalloy Reference Material (596°C)	N5190616
Iron Reference Material (780°C)	09988017
Indium Calibration Reference	03190033
Tin Calibration Reference	03190034
Lead Calibration Reference	03190035
Zinc Calibration Reference	03190036
Silver Calibration Reference	N5370438
Calibration Weight (TGA 6, TGA 4000, STA 6000)	N5200042
Calibration Weight (100 mg)	09908397
Calibration Weight Standards Kit for NOACK Lubricating Oil Test**	N5370140

* Magnetic Calibration Reference Materials are available in kit form and now are also available separately for your convenience. We recommend that you use fresh reference materials each time you calibrate your instruments. In this way you can avoid the effects of hysteresis and oxidation on the Curie point of the reference materials.

** Used to calibrate a TGA or STA to perform ASTM test method D5800 for evaporation loss of lubricating oils by the NOACK method.

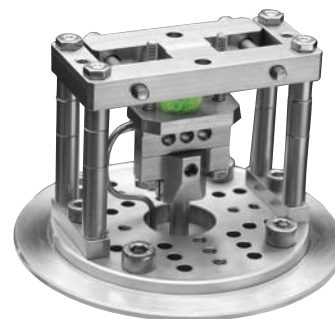
COMPLETE RANGE OF ACCESSORIES

Cost effective Dynamic Mechanical Analyzer supplies for routine quality testing in the polymers, composites, pharmaceutical and food industries.

REPLACEMENT PARTS FOR THE DMA 8000

The DMA 8000 comes with a complete set of standard fixtures to allow tension, bending (3 type), shear and compression experiments.

Description	Part No.
Bending Clamp Set	N5330300
Shear Studs and Plate Set	N5330301
Shear Clamp Outer Assembly (pair)	N5330302
3 Point Bend Assembly	N5330305
Outer Clamp Supports – Stainless (pair)	N5330303
Outer Clamp Support – Single Side Only	N5330304
Extended Bending Clamp Set	N5330308
Compression Insert	N5330309
Extended Bending Clamp Set	N5330306
Miniature 3 Point Bending Clamp	N5330307
Extended Nut Set	N5330310
Full Nut Set	N5330311
Tensile Spacer Set	N5330313
Tensile Clamps (Titanium)	N5330312
Alignment Fixture	N5330314



Replaceable Parts For DMA 8000 Systems

Description	Part No.
Pt 100 Replacement Sensor	N5330253
Pyrex® Cup for Fluid Bath (set of 3)	N5330320
Screw set (4)	N5330338
Side Pillars and Screw	N5330303
Insert Compression (titanium)	N5330308
Replacement Omnicure® Light Pipe	N5365048
Replacement Omnicure® Bulb	N5365049
End cap for DMA 8000 Vent Cover	N5337031
Desiccant for Humidity Chamber (1 kg)	N5330405
Humidity Generator Sensor – calibrated	N5330402
Humidity Generator Heated Line	N5330403
Humidity Generator Sensor Lead	N5330404
Rod Microswitch Extension	N5331098

Calibration Supplies

Description	Part No.
PMMA Test Sample (set of 5)	N5330316
Steel Test Sample	N5330317
PVC Test Sample (set of 5)	N5330340
HDPE Test Sample (set of 5)	N5330341
Polycarb Test Sample (set of 5)	N5330342
PET Film Test Sample (set of 5)	N5330343
G10 Epoxy Test Sample (set of 5)	N5330344
Septum for compression (Set of 5)	00090652
Calibration Mass	N5330315
Temperature Calibration Kit Includes indium wire (1.5 mm dia), PMMA test sample (5) and FEB tube.	N5330318
Traceable Calibration Kit, DMA Testing Kit Includes micrometer caliper, calibration mass, PMMA test sample kit (5) feeler gauge, indium wire sample (2) and PTFE tube.	N5330319
Measuring System Training Kit Includes training manual, fairprene septum kit, acrylic sample (5), PVC sample (5), HDPE sample (5), polycarb sample (5), PET sample (5) and G10 sample (5).	N5330220
Dynamic Mechanical Analysis: A Practical Introduction (Menard)	N5374092

Cooling Accessories

The DMA 8000 has two options for sub-ambient operation: a 1-Liter Dewar for those needing occasional cooling, and a 50 L Dewar for those requiring longer or more frequent sub-ambient experiments.

Description	Size	Part No.
LN2 Cryo Dewar with Transfer Line and Fittings	1 L	N5330254
LN2 Cryo Dewar with Transfer Line and Fittings	50 L	N5373009



Material Pockets

Specialty Fixtures and Accessories

Special problems often require special tools and a wide range of options exist for the DMA 8000. Advanced software for special tasks, clamps for tablets, material pockets, photo-adaptor for UV studies and fixtures that allow you to use the DMA 7 fixtures in the DMA 8000 are all available.

Description	Package	Part No.
Measuring System for Tablets For holding non-flat tablets, capsules and pills in compression. Can be used with the fluid bath or the humidity chamber as well as the standard furnace. One side is V-grooved and the other side has a round groove to allow a wide range of specimens to be held.		N5330604
Material Pockets For running pharmaceuticals, powders and other non-self supporting samples.	Set of 10	N5330322
	Set of 100	N5330323
	Set of 1,000	N5330324
Mesh Pockets For running pharmaceuticals, paints and other non-supporting samples where letting moisture and solvent in and out is desirable.	Set of 25	N5330177
	Set of 100	N5330178
DMA 7e Fixture Adapter Allows use of DMA 7 fixtures in DMA 8000.		N5330613
DMA Photo Adapter Allows use of DSC UV system light guides with DMA 8000.		N5337024
Fluid Bath Accessory* Allows immersion of samples.		N5330262
Humidity Generator** Allows testing in controlled relative humidity.		N5330400
Time Temp Superposition SW Allows manipulation of frequent scan data to generate mastercurves.		N5330265

* Required for routine humidity work with Humidity Generator (N5330400).

** Requires Fluid Bath Accessory (N5330262).

Tubes and Reagent Kits

Description	Part No.
2400 CHN Kit for 2000 Runs	
Combustion and Reduction Tube and Reagent Kits and Tin Capsules	N2410683
2400 CHNS Kit for 2000 Runs	
Combustion/Reduction Tube, Reagent Kits and Tin Capsules	N2410684
2400 CHN Combustion Tubes and Reagents for 2000 Runs	
Combustion Tubes, EA1000, Silver Tungstate on Magnesium Oxide, Silver Vanadate and Vial Receptacles	N2410680
2400 CHN Reduction Tubes and Reagents for 500 Runs	
Reduction Tubes, Copper Plus and Copper Oxide	N2410681
2400 CHNS Combustions/Reduction Tubes and Reagents for 500 Runs	
Combustions/Reduction Tubes, EA600 and Copper (wire form)	N2410682
2400/2410 Maintenance Kit	
Includes O-Rings, Washers, Fuses and Springs Required for Routine Maintenance of the 2400 or 2410 Elemental Analyzers	N2410152

Packing Supplies

Description	Part No.
Silver Gauze Strip (Pkg 1)	N2410145
Platinum Gauze Strip (Pkg 1)	N2411273
Quartz Wool, (50 g)	02401118
Copper Diffusion Plug, each	N2411333

Calibration Standards

Description	Size	Part No.
Acetanilide	2 g	02401121
Benzoic Acid	4 g	02401120
Cystine	4 g	N2410324
EDTA	100 g	N2410325
Sulfamic Acid	10 g	N2410501



PerkinElmer genuine reagents will assure consistent and accurate results.

Reagents

Description	Part No.
EA-1000, (50 g)	N2410092
EA-1000, (3 x 50 g)	N2410166
Silver Tungstate/Magnesium Oxide, (100 g)	02401344
Silver Tungstate/Magnesium Oxide, (3 x 100 g)	N2410165
Silver Vanadate, (40 g)	02401117
Silver Vanadate, (3 x 40 g)	N2410164
EA-6000, (50 g)	N2410278
EA-6000, (5 x 50 g)	N2410331
Platinized Carbon, (10 g)	02400119
Copper Plus, (454 g)	02400117
Copper Plus, (10 x 454 g)	N2410157
Copper Plus – Wire Form, (454 g)	02401362
Copper Plus – Wire Form, (5 x 454 g)	N2410332
Copper for Nitrogen, (454 g)	N2411527
Copper for Nitrogen, (10 x 454 g)	N2410518
Copper Oxide – Wire Form, (454 g)	02401092
Aquasorb, (25 g)	N2410277
Colorcarb, (100 g)	02400115
Colorcarb, (3 x 100 g)	N2410188
Magnesium Perchlorate, (454 g)	02401119
Magnesium Perchlorate, (3 x 454 g)	N2410191
Thermolite, (100 g)	02400815

Receptacles

Description	Qty.	Part No.
Quartz Tube Insert	1	N2411401
Vial Receptacle, Metal (CHN Mode and 2410)	1	N2411335
Vial Receptacle, Metal (CHNS and Oxygen Modes)	10	N2410177
Vial Receptacle, Ceramic	1	09904866
Zirconia Cloth	1	N2410168

Sample Capsules and Sealers

Tin Capsules

For analysis of nonvolatile solid samples.

Description	Qty.	Part No.
Standard Tin Capsule Kit	96	N2411255
Standard Tin Capsule Kit, (pkg. 10)	960	N2410155
Large Tin Capsule Kit	250	N2411362

Flat Tin Disks

For analyzing 13 or 25 mm filters.

Description	Qty.	Part No.
Flat Tin Disks	100	N2411363
Flat Tin Disks, (pkg. 10)	1000	N2410244

Aluminum Capsules

For analyzing volatile liquid samples. Requires, but does not include, Liquid Sample Sealer (B0198093) and Tin Capsules.

Description	Qty.	Part No.
Aluminum Capsules, 4 µL	1,000	02400642
Aluminum Capsules, 30 µL	1,000	00090709

Tin Pans and Covers

For volatile liquid or solid samples, including viscous materials. Requires, but does not include, Volatile Sample Sealer (02190061).

Description	Qty.	Part No.
Volatile Tin Sample Pans and Covers	400	N2410320

Silver Capsules

For analyzing organic substances with Oxygen Analysis.

Description	Qty.	Part No.
Silver Capsules	96	N2411364

Sample Sealers

For use with volatile, nonviscous, noncorrosive samples.

Description	Part No.
Liquid Sample Sealer	B0198093
Spare Magazine for Liquid Sample Sealer	B0501078
Volatile Sample Sealer	02190061



Combustion and Pyrolysis Tubes

Tubes

PerkinElmer tubes are composed of pure fused quartz which is 99% SiO₂. Fused quartz has been chosen because of its very high purity and low thermal expansion rate. Because we care about your safety, all combustion tubes are pressure-tested to eliminate any tubes which might contain weak spots. In addition, stringent specifications are used to ensure that the combustion tubes fit in an airtight connection when placed in the analyzer.

Type	Material	Analyzer	Mode	Qty.	Part No.
Combustion	Quartz	2400	CHN	1	N2411264
Combustion	Quartz	2400	CHN	3	N2410212
Combustion	Quartz	2400	CHN	10	N2410153
Combustion/ Reduction	Quartz	2400	CHNS	1	N2411514
Combustion/ Reduction	Quartz	2400	CHNS	5	N2410330
Combustion/ Reduction	Stainless Steel	2410	Nitrogen	1	N2421070
Combustion	Quartz	2410	Nitrogen	1	N2411487
Pyrolysis	Quartz	2400	Oxygen	1	N2411235
Reduction	Quartz	2400	Oxygen & Sulfur	1	N2411300
Reduction	Quartz	2400	CHN	1	N2411291
Reduction	Quartz	2400	CHN	10	N2410154
Scrubber	Pyrex®	2400/ 2410	Oxygen & Nitrogen	1	N2411359